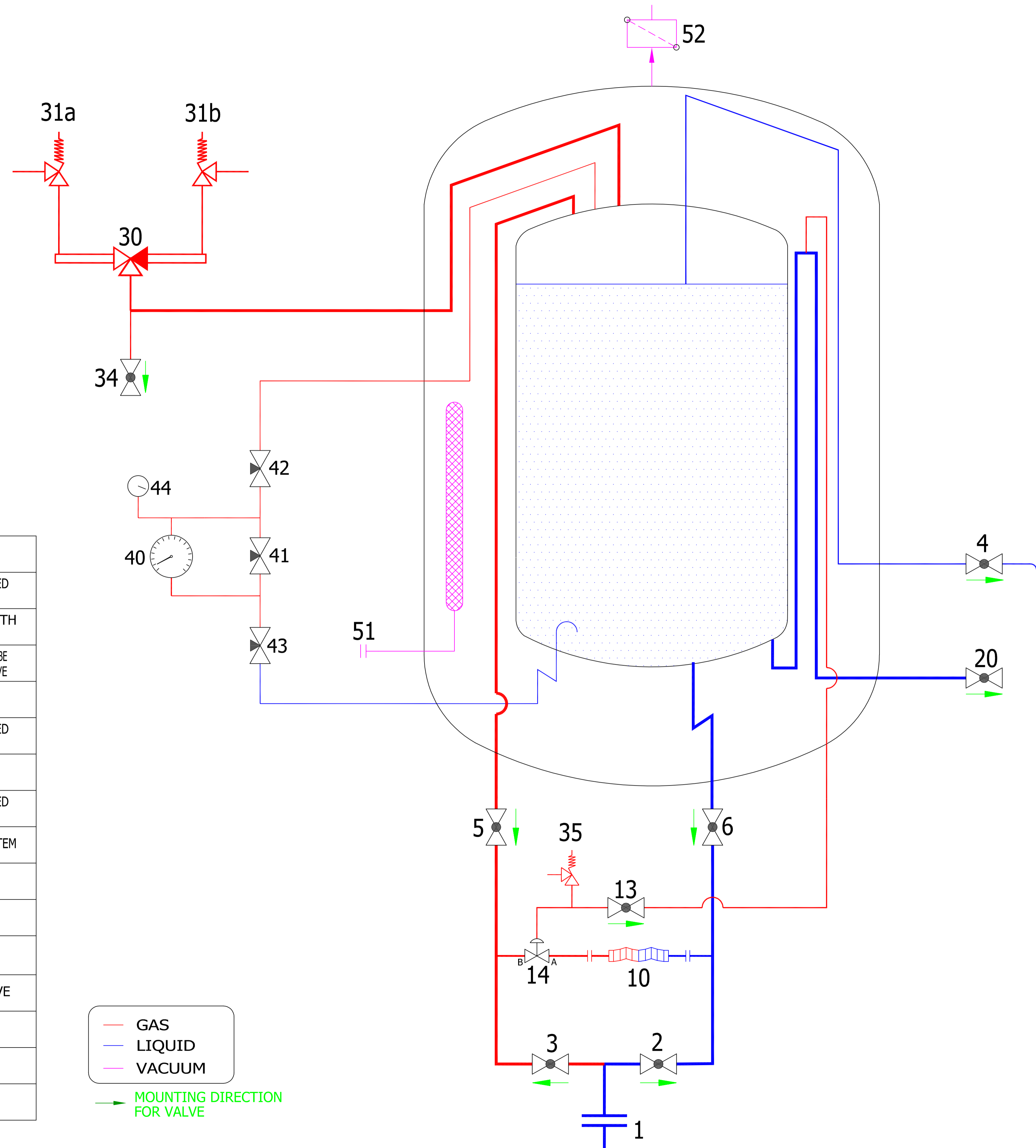


CRYOGENIC STORAGE TANK P&I DIAGRAM



	GLOBE VALVE
	PNEUMATIC ACTUATED GLOBE VALVE
	GLOBE VALVE WITH CHECKVALVE
	PNEUMATIC ACTUATED GLOBE VALVE WITH CHECKVALVE
	BALL VALVE
	PNEUMATIC ACTUATED BALL VALVE
	GATE VALVE
	PNEUMATIC ACTUATED GATE VALVE
	FLANGED VALVE SYSTEM
	FILTER
	CHECKVALVE
	SAFETY VALVE
	THREE WAY VALVE
	NEEDLE VALVE
	REGULATOR
	BURSTING DISC

— GAS
— LIQUID
— VACUUM
→ MOUNTING DIRECTION FOR VALVE

NOMENCLATURE	
1	FILL CONNECTION
2	BOTTOM FILL VALVE
3	TOP FILL VALVE
4	TRYCOCK VALVE %95
5	TOP FILL ISOLATING VALVE
6	BOTTOM FILL ISOLATING VALVE
10	PRESSURE BUILDING COIL
13	ECONOMIZER ISOLATING VALVE
14	COMBINE VALVE (FILTER, REGULATOR, ECONOMIZER, NON RETURN VALVE)
20	LIQUID WITHDRAWAL VALVE
30	THREE WAY VALVE
31	INNER VESSEL SAFETY RELIEF VALVE (a/b)
34	VAPOR VENT VALVE
35	THERMAL RELIEF VALVE
41	LEVEL GAUGE MANIFOLD
42	LEVEL GAUGE MANIFOLD
43	LEVEL GAUGE MANIFOLD
40	LEVEL INDICATOR
44	PRESSURE INDICATOR
51	EVACUATION CONNECTION
52	VACUUM SAFETY DEVICE