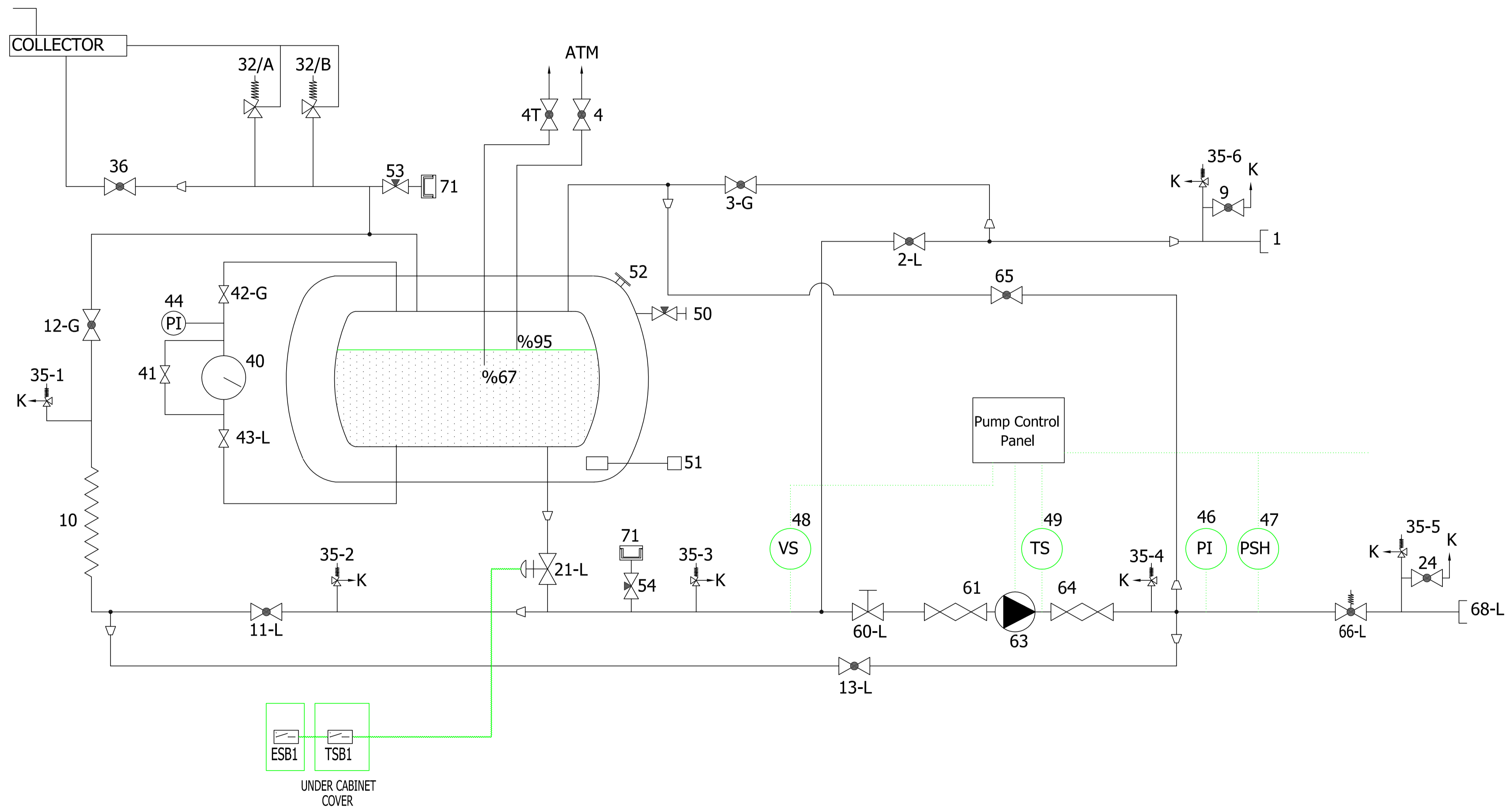


# P&I DIAGRAM FOR CRYOGENIC TRANSPORT TANK



	GLOBE VALVE
	PNEUMATIC ACTUATED GLOBE VALVE
	GLOBE VALVE WITH CHECKVALVE
	PNEUMATIC ACTUATED GLOBE VALVE WITH CHECKVALVE
	BALL VALVE
	PNEUMATIC ACTUATED BALL VALVE
	GATE VALVE
	PNEUMATIC ACTUATED GATE VALVE
	FLANGED VALVE SYSTEM
	FILTER
	CHECKVALVE
	SAFETY VALVE
	THREE WAY VALVE
	NEEDLE VALVE
	REGULATOR

PNEUMATIC LINE  
 ELECTRIC LINE

"K" outlets will be connected to the collector.

FILLING LINE	
1	FILLING CONNECTION
2-L	BOTTOM FILLING VALVE
3-G	TOP FILLING VALVE
4	TRYCOCK VALVE
4T	TRYCOCK VALVE
9	DRAIN LINE VALVE
10	PRESSURE BUILDING COIL
11-L	PRESSURE BUILDING-UP VALVE
12-G	VAPOR OUTLET VALVE FOR PBC
13-L	PUMP PBC INLET VALVE
CONSUMPTION LINE	
21-L	EMERGENCY SHUT-OFF VALVE
24	PURGE VALVE
SAFETY RELIEF LINE EQUIPMENTS	
53	GAS ANALYSIS VALVE
54	LIQUID ANALYSIS VALVE
71	ANALYSIS ADAPTOR
32/A	INNER VESSEL SAFETY RELIEF VALVE
32/B	INNER VESSEL SAFETY RELIEF VALVE
35-1	THERMAL RELIEF VALVE
35-2	THERMAL RELIEF VALVE
35-3	THERMAL RELIEF VALVE
35-4	THERMAL RELIEF VALVE
35-5	THERMAL RELIEF VALVE
35-6	THERMAL RELIEF VALVE
36	GAS PURGE VALVE
INDICATOR (LEVEL/PRESSURE) LINE	
40	LEVEL INDICATOR
41	EQUALIZER VALVE
42-G	HIGH PRESSURE SHUT-OFF VALVE
43-L	LOW PRESSURE SHUT-OFF VALVE
44	PRESSURE INDICATOR
46	PUMP PRESSURE GAUGE
47	PUMP HIGH PRESSURE SWITCH
48	PUMP VACUUM SWITCH
49	TEMPERATURE PROBE SAFETY DEVICE
PUMP SUCTION LINE	
60-L	PUMP SUCTION VALVE
61	COMPENSATOR
63	PUMP
64	COMPENSATOR
65	PUMP BY-PASS VALVE
66-L	PUMP OUTLET VALVE
68-L	PUMP OUTLET CONNECTION
VACUUM CONNECTION	
50	EVACUATION VALVE
51	EVACUATION CONNECTION
52	VACUUM SAFETY DEVICE
PNEUMATIC CONTROL SYSTEM	
ESB1	EMERGENCY STOP BUTTON
ESB2	EMERGENCY STOP BUTTON
TSB1	TRANSPORT CRUISING BUTTON
ATS1	ANTI-TOW AWAY SYSTEM

ISISAN reserves the right to change above specifications without prior notice.