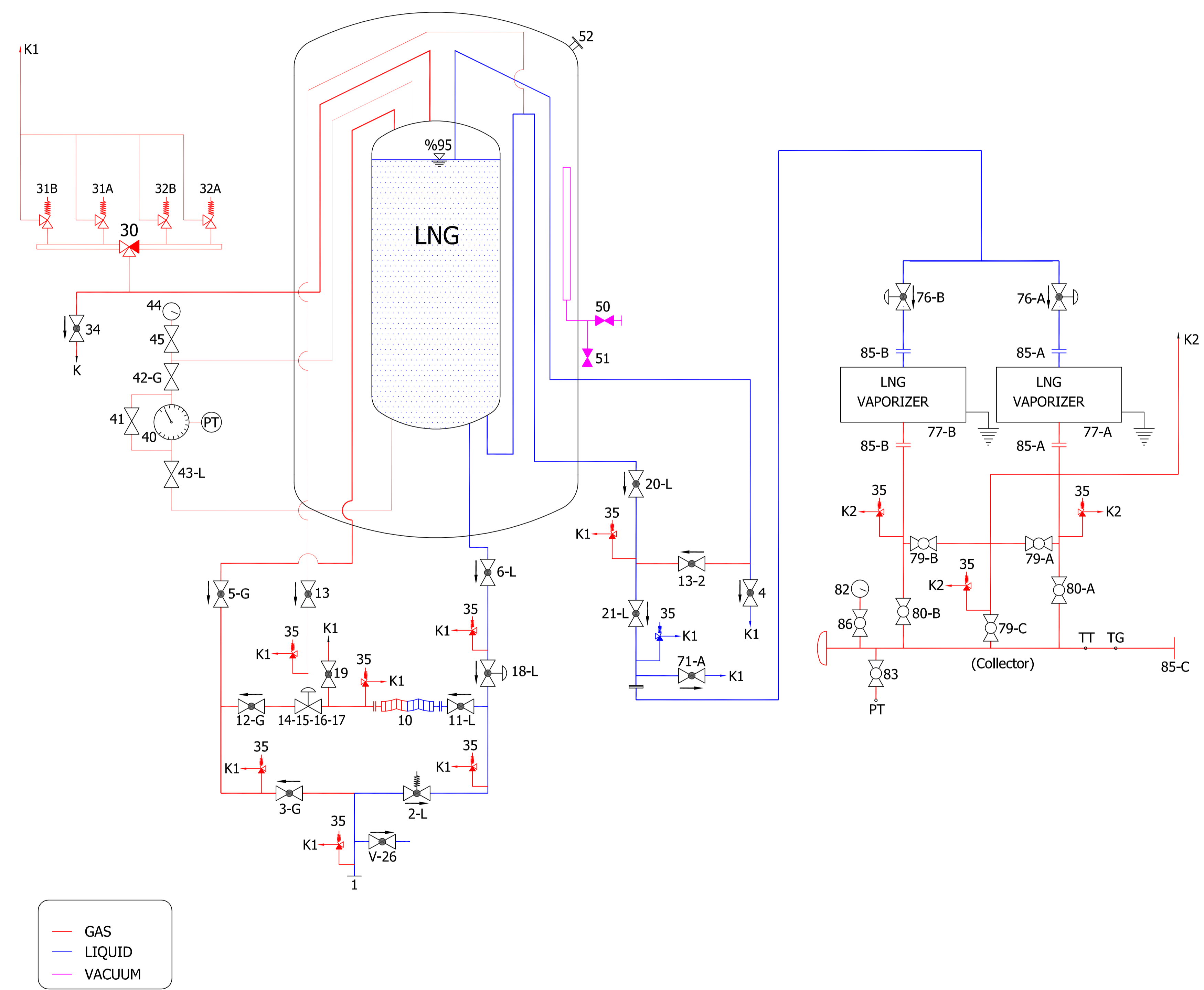


# LNG SKID SYSTEM STORAGE TANK P&I DIAGRAM



	GLOBE VALVE
	PNEUMATIC ACTUATED GLOBE VALVE
	GLOBE VALVE WITH CHECKVALVE
	PNEUMATIC ACTUATED GLOBE VALVE WITH CHECKVALVE
	BALL VALVE
	PNEUMATIC ACTUATED BALL VALVE
	GATE VALVE
	PNEUMATIC ACTUATED GATE VALVE
	FLANGED VALVE SYSTEM
	FILTER
	CHECKVALVE
	SAFETY VALVE
	THREE WAY VALVE
	NEEDLE VALVE
	REGULATOR

— GAS  
— LIQUID  
— VACUUM

→ MOUNTING DIRECTION FOR VALVE

" K1 and K2 " outlets will be connected to each collector.

ISISAN reserves the right to change above specifications without prior notice.

VALVE NO VANA NO	PART NAME PARÇA ADI
1	FILL CONNECTION
2-L	BOTTOM FILL VALVE
3-G	TOP FILL VALVE
4	TRYCOCK (%95)
5-G	TOP FILL ISOLATING VALVE
6-L	BOTTOM FILL ISOLATING VALVE
10	PRESSURE BUILD UP
11-L	PRESSURE BUILD-UP VALVE
12-G	VAPOUR OUTLET VALVE FOR PBU
13	ECONOMIZER VALVE
13-2	MANUAL ECONOMIZER VALVE
14-15-16-17	FILTER, REGULATOR, ECONOMIZER, NON RETURN VALVE
18-L	EMERGENCY SHUT OFF VALVE
19	PURGE VALVE
20-L	LIQUID WITHDRAWAL VALVE
21-L	EMERGENCY SHUT OFF VALVE
V-26	PURGE VALVE
30	CHANGE OVER VALVE
31A	INNER VESSEL SAFETY RELIEF VALVE
32A	INNER VESSEL SAFETY RELIEF VALVE
31B	INNER VESSEL SAFETY RELIEF VALVE
32B	INNER VESSEL SAFETY RELIEF VALVE
34	PURGE VALVE
35	THERMAL RELIEF VALVE
40	LEVEL INDICATOR
41	EQUALIZER VALVE
42-G	HIGH PRESSURE SHUT OFF VALVE
43-L	LOW PRESSURE SHUT OFF VALVE
44	PRESSURE INDICATOR
45	PRESSURE INDICATOR VALVE
50	EVACUATION VALVE
51	EVACUATION CONNECTION
52	VACUUM SAFETY DEVICE
71-A	MANUAL RELIEF VALVE
76-A	SYSTEM VAPORIZER INLET VALVE-1
76-B	SYSTEM VAPORIZER INLET VALVE-2
77-A	SYSTEM VAPORIZER
77-B	SYSTEM VAPORIZER
79-A	RELIEF VALVE
79-B	RELIEF VALVE
79-C	RELIEF VALVE
80-A	SYSTEM VAPORIZER OUTLET VALVE-1
80-B	SYSTEM VAPORIZER OUTLET VALVE-2
82	MANOMETER
83	PRESSURE TRANSMITTER VALVE
85-A	CONNECTION FLANGE
85-B	CONNECTION FLANGE
85-C	CONNECTION FLANGE
86	MANOMETER VALVE
TT	TEMPERATURE TRANSMITTER
TG	TEMPERATURE GAUGE
PT	PRESSURE TRANSMITTER