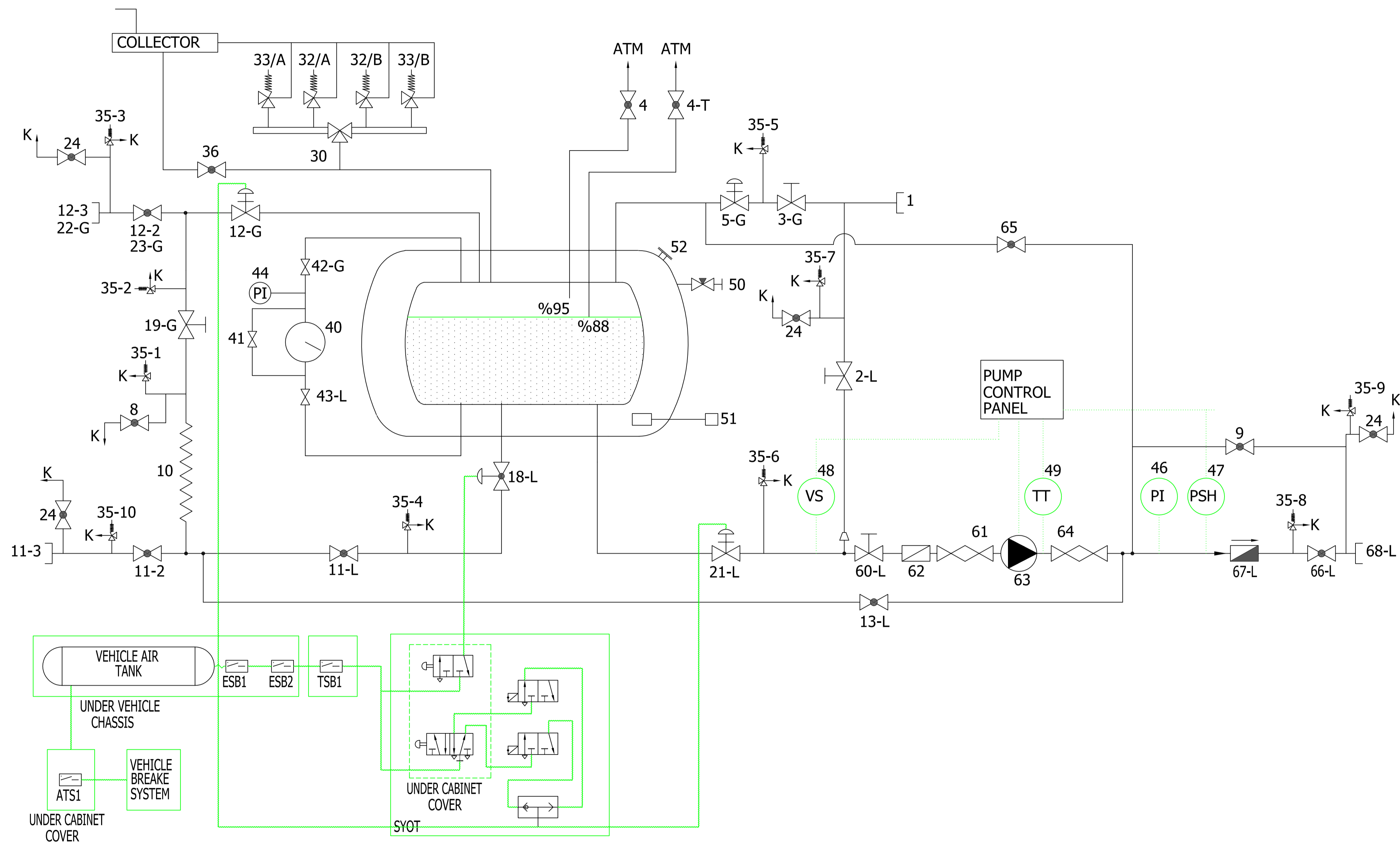


P&I DIAGRAM FOR CRYOGENIC (LNG) TRANSPORT TANK



	GLOBE VALVE
	PNEUMATIC ACTUATED GLOBE VALVE
	GLOBE VALVE WITH CHECKVALVE
	PNEUMATIC ACTUATED GLOBE VALVE WITH CHECKVALVE
	BALL VALVE
	PNEUMATIC ACTUATED BALL VALVE
	GATE VALVE
	PNEUMATIC ACTUATED GATE VALVE
	FLANGED VALVE SYSTEM
	FILTER
	CHECKVALVE
	SAFETY VALVE
	THREE WAY VALVE
	NEEDLE VALVE
	REGULATOR

PNEUMATIC LINE
 ELECTRICAL LINE

"K" outlets will be connected to collector.

FILL LINE	
1	FILL CONNECTION
2-L	BOTTOM FILL VALVE (Gate)*
3-G	TOP FILL VALVE (Gate)*
4	TRYCOCK VALVE (%95)
4-T	TRYCOCK VALVE (%88)
5-G	EMERGENCY SHUT-OFF VALVE (Act. Gate)*
7	NON-RETURN VALVE
8	PURGE VALVE
9	PURGE VALVE
10	PRESSURE BUILDING COIL
11-L	PRESSURE BUILD-UP VALVE*
11-2	LIQUID OUTLET VALVE FOR EXTERNAL PRESSURE
11-3	LIQUID OUTLET CONNECTION FOR EXTERNAL PRESSURE
12-G	EMERGENCY SHUT-OFF VALVE (Act. Gate)*
12-2	VAPOR OUTLET VALVE FOR EXTERNAL VAPORIZER*
12-3	VAPOR OUTLET CONNECTION FOR EXTERNAL PRESSURE
13-L	PUMP-PBC INLET VALVE
18-L	EMERGENCY SHUT-OFF VALVE*
19-G	VAPOR OUTLET VALVE FOR PBC (Gate)

CONSUMPTION LINE	
21-L	EMERGENCY SHUT-OFF VALVE*
22-G	VAPOR EQUALIZING CONNECTION
23-G	VAPOR EQUALIZING VALVE*
24	PURGE VALVE
SAFETY RELIEF LINE EQUIPMENTS	
30	THREE WAY VALVE
32/A	INNER VESSEL SAFETY RELIEF VALVE*
32/B	INNER VESSEL SAFETY RELIEF VALVE*
33/A	INNER VESSEL SAFETY RELIEF VALVE*
33/B	INNER VESSEL SAFETY RELIEF VALVE*
35-1	THERMAL RELIEF VALVE
35-2	THERMAL RELIEF VALVE
35-3	THERMAL RELIEF VALVE
35-4	THERMAL RELIEF VALVE
35-5	THERMAL RELIEF VALVE
35-6	THERMAL RELIEF VALVE
35-7	THERMAL RELIEF VALVE
35-8	THERMAL RELIEF VALVE
35-9	THERMAL RELIEF VALVE
35-10	THERMAL RELIEF VALVE
36	GAS PURGE VALVE

LEVEL/PRESSURE LINE INDICATOR	
40	LEVEL INDICATOR
41	EQUALIZER VALVE
42-G	HIGH PRESSURE SHUT-OFF VALVE
43-L	LOW PRESSURE SHUT-OFF VALVE
44	PRESSURE INDICATOR
46	PRESSURE INDICATOR
47	PUMP HIGH PRESSURE SWITCH
48	PUMP VACUUM SWITCH
49	PUMP TEMPERATURE SWITCH
PUMP SUCTION LINE	
60-L	PUMP SUCTION VALVE
61	COMPENSATOR
62	FILTER
63	PUMP
64	COMPENSATOR
65	PUMP COOLING VALVE
66-L	PUMP OUTLET VALVE*
67-L	NON-RETURN VALVE
68-L	PUMP OUTLET CONNECTION

PNEUMATIC CONTROL SYSTEM	
ESB1	EMERGENCY SHUT-OFF BUTTON
ESB2	EMERGENCY SHUT-OFF BUTTON
TSB1	TRANSPORT CRUISING BUTTON
ATSI	ANTI-TOW AWAY SYSTEM
SYOT	METER AUTOMATION
VACUUM CONNECTION	
50	EVACUATION VALVE
51	EVACUATION CONNECTION
52	VACUUM SAFETY DEVICE

ISISAN reserves the right to change above specifications without prior notice.